

TEAC



SERVICE MANUAL

AG-H550

AV Digital Home Theater Receiver



CONTENTS

1 SPECIFICATIONS	2
2 EXPLODED VIEWS AND PARTS LIST	4
3 PC BOARDS AND PARTS LIST	6
4 INCLUDED ACCESSORIES	13

目次

1 仕様	2
2 分解図とパーツリスト	4
3 基板図とパーツリスト	6
4 付属品	13

NOTES

- PC boards shown are viewed from parts side.
- The parts with no reference number or no parts number in the exploded views are not supplied.
- As regards the resistors and capacitors, refer to the circuit diagrams contained in this manual.
- △ Parts marked with this sign are safety critical components. They must be replaced with identical components - refer to the appropriate parts list and ensure exact replacement.
- Parts of [] mark can be used only with the version designated.
[J]:JAPAN [US]:U.S.A. [C]:CANADA [E]:EUROPE [UK]:U.K.

注 意

- プリント基板図は部品面を示しています。
- 分解図に部番のない部品および品番のない部品は供給できません。
- 標準の抵抗、コンデンサーは省略してあります。回路図を参照してください。
- △印は安全重要部品です。交換する時は必ず指定の部品を使用してください。
- 仕向先
[J]:JAPAN [US]:U.S.A. [C]:CANADA [E]:EUROPE [UK]:U.K.

1 SPECIFICATIONS

仕 様

Amplifier Section

Output Power (Stereo) (0.9 % THD, 1 kHz, 8 ohms):

80 watts RMS per channel minimum, both channels driven into 8 ohms from 20 Hz to 20kHz with no more than 0.9% total harmonic distortion

Surround Output Power (0.9 % THD, 1 kHz, 8 ohms):

55 + 55 watts (Front)
55 watts (Center)
55 + 55 watts (Rear)

Total Harmonic Distortion (Stereo):

0.02% (at 80 watts, 1 kHz)

Delay Time:

DOLBY DIGITAL: REAR 0 – 15 ms
CENTER 0 – 5 ms

DOLBY PRO LOGIC: REAR 15 – 30 ms

Audio Input Sensitivity/Impedance:

* LINE: 200 mV/47 k ohms

Output Level/Impedance:

VCR/TAPE, CD-R/MD : 185 mV / 2.2 k ohms

Frequency Response:

* LINE: 20 Hz – 65 kHz, +1 / –3 dB

Signal-to-Noise Ratio:

* LINE: 85 dB (IHF-A)

Tone Control:

BASS: ± 10 dB at 100 Hz
TREBLE: ± 10 dB at 10 kHz

Digital Audio Section

Sampling Frequency:

32 kHz, 44.1 kHz, 48 kHz

DIGITAL Input Level/Impedance:

COAXIAL: 0.5 Vp-p / 75 ohms
OPTICAL: –15 dBm to –21 dBm

Video Section

Input Sensitivity/Impedance:

1.0 Vp-p / 75 ohms

Output Level/Impedance:

1.0 Vp-p / 75 ohms

FM Tuner Section

(Without notes 100.1 MHz, 65 dBf)

Tuning Range:

87.5 MHz – 108.0 MHz (100 kHz steps) [U.S.A./Canada model]
87.5 MHz – 108.0 MHz (50 kHz steps) [Europe/U.K. model]

AM Suppression Ratio: 45 dB

Total Harmonic Distortion (1 kHz):

Mono: 0.4%
Stereo: 0.5%

Frequency Response:

30 Hz – 15 kHz, +1/ –1.5 dB

Stereo Separation (1 kHz): 40 dB

Signal-to-Noise Ratio:

Mono: 75 dB
Stereo: 70 dB

AM Tuner Section

Tuning Range:

530 kHz – 1,720 kHz (10 kHz steps) [U.S.A./Canada model]
522 kHz – 1,620 kHz (9 kHz steps) [Europe/U.K. model]

Usable Sensitivity: 55 dB/m

Total Harmonic Distortion:

0.8% at 85 dB/m

Signal-to-Noise Ratio:

45 dB at 85 dB/m

General

Power Requirements:

120 V AC, 60 Hz [U.S.A./Canada model]
230 V AC, 50 Hz [Europe/U.K. model]

Power Consumption:

2.8 A [U.S.A./Canada model]
340 W [Europe/U.K. model]

AC Outlets:

Unswitched x 2, Total 100 W max. (1A)

Dimensions (W x H x D)

285 x 145 x 394 mm (11-1/4" x 5-11/16" x 15-1/2")

Weight (net): 9.4kg (20-11/16 lbs)

Standard Accessories:

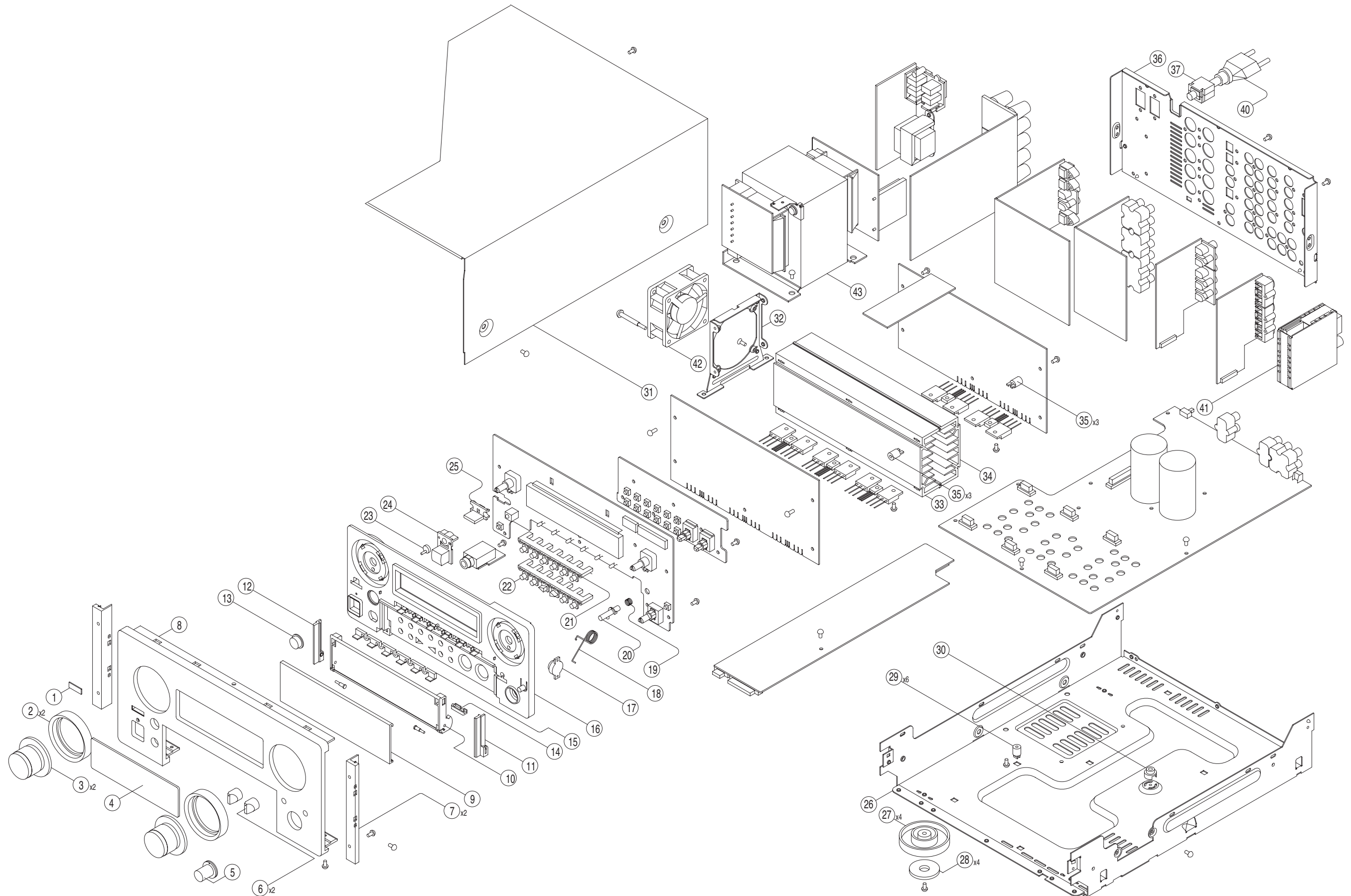
AM Loop Antenna x 1
FM T-type Antenna x 1 [U.S.A./Canada model]
FM Matching Transformer x 1 [U.S.A./Canada model]
FM Lead-type Antenna x 1 [Europe/U.K. model]
Remote Control Unit (RC-821) x 1

* LINE means VCR/TAPE, DVD, SAT/AUX, CD-R/MD and CD.

● Improvements may result in specifications and features changing without notice.

2 EXPLODED VIEWS AND PARTS LIST

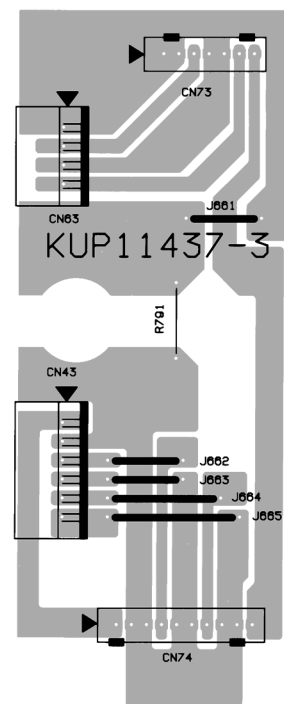
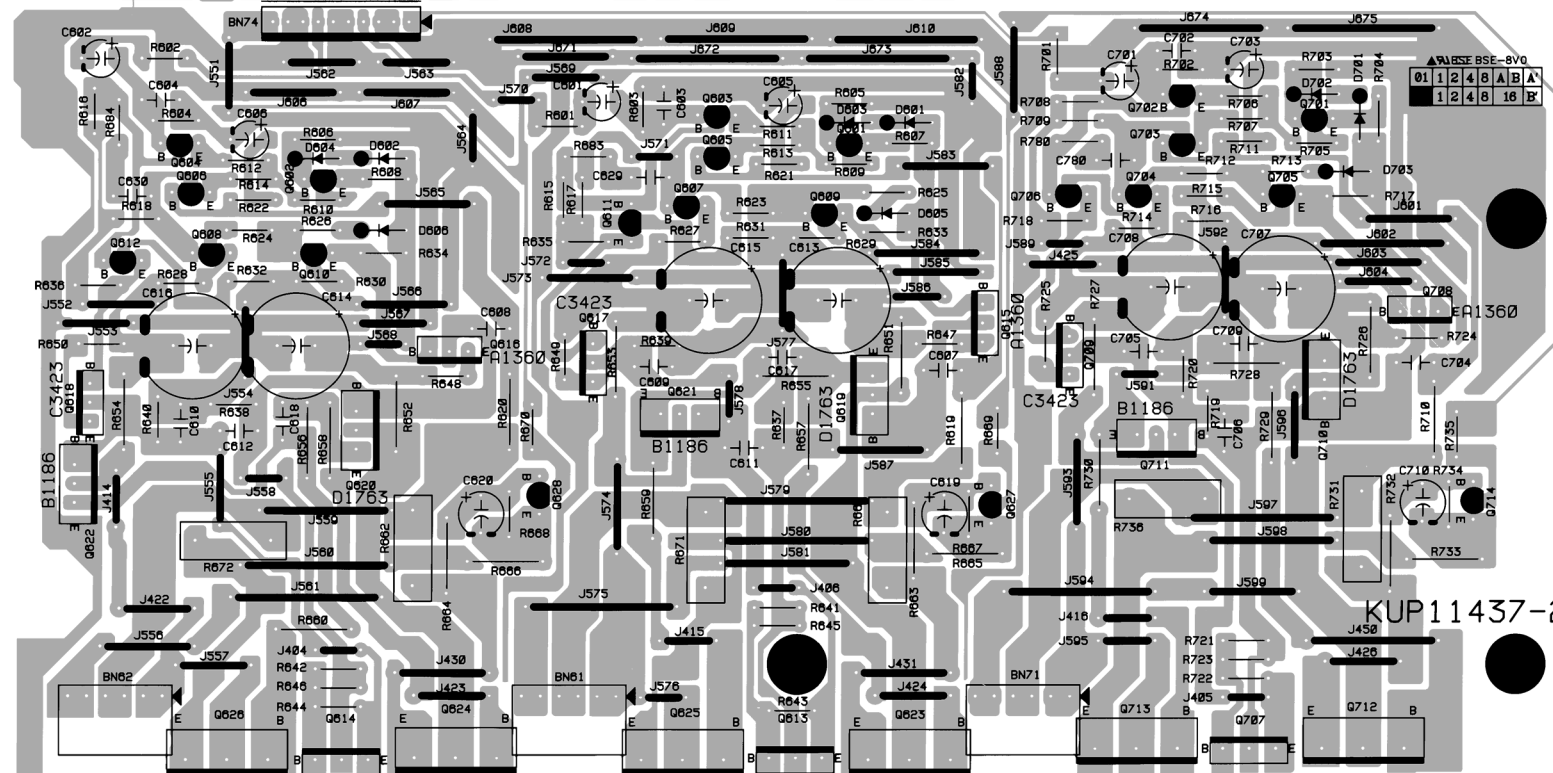
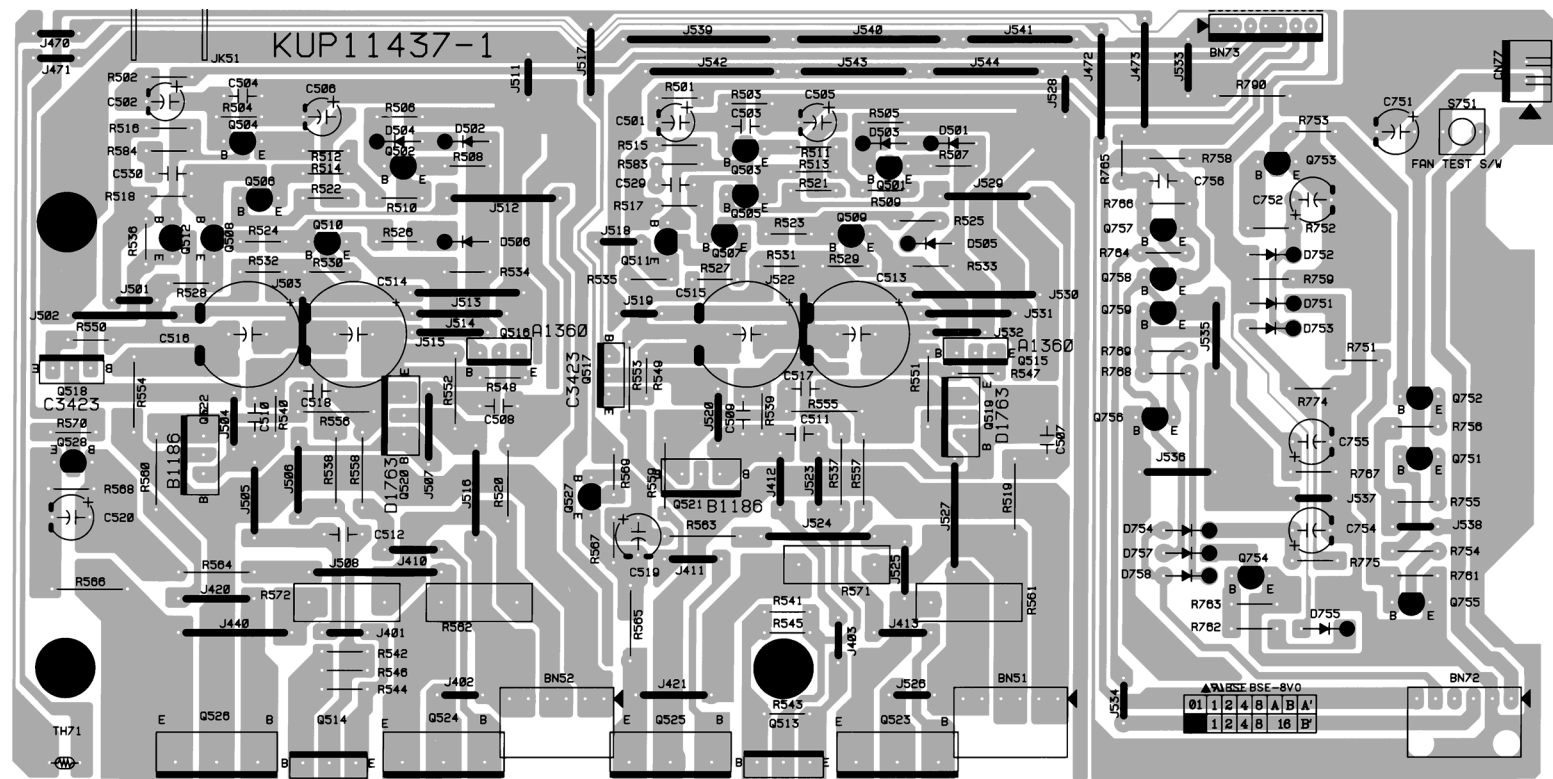
分解図とパーツリスト



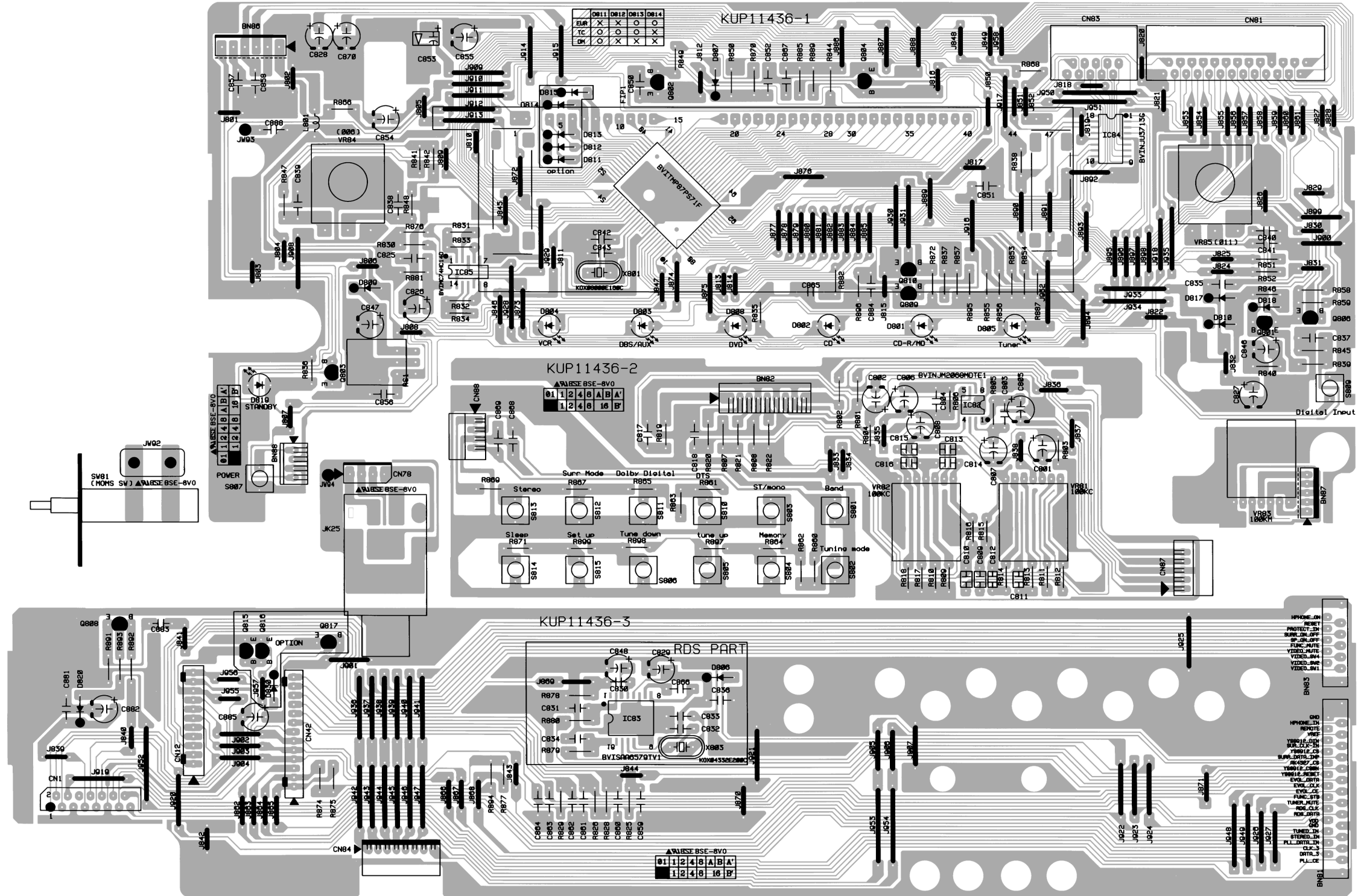
EXPLODED VIEW LIST

REF. NO.	PARTS NO.	DESCRIPTION	REMARKS
1	9A06677900	BADGE	KGB1A047
2	9A09287800	HOUSING, VOLUME	KGK1A071C11
3	9A09287700	VOLUME KNOB ASSY	KGK1A070ZA
4	9A09288300	WINDOW, FIP	KGU1A264A8Z
5	9A06228400	VOLUME CAP ASSY (C)	KGX1A218ZA
6	9A09276400	KNOB, ROTARY	KBN1A146M9K79
7	9A09287500	BAR, SIDE	KGK1A069C11
8	9A09290300	PANEL, AL [J, US, C]	KKM1A114ZC11
	9A09297800	PANEL, AL [E, UK]	KKM2A114YC11
9	9A09287400	DOOR, AL	KGK1A067ZC11
10	9A09288200	DOOR, MOLD	KGR1A235M9K79
11	9A09288000	BAR, ORNAMENT (L)	KGR1A233MBC22
12	9A09288100	BAR, ORNAMENT (R)	KGR1A234MBC22
13	9A08792000	WINDOW, SENSOR	KGU1A245A10
14	9A09290900	DOOR, LOCK	KMH1A133
15	9A09287900	INDICATOR, FUNCTION	KGL1A193
16	9A09288500	PANEL, MOLD	KGW1A316M9ZK64
17	9A09276900	DAMPER GEAR ASSY	KDG1A006W
18	9A09293900	DOOR SPRING	KUS2A127
19	9A09282900	SPRING, OPEN	KUS1A126
20	9A09286500	KNOB, OPEN	KBC1A136M9K64
21	9A09286700	KNOB, DTS	KBT1A772M9K64
22	9A09286800	KNOB, TUNING	KBT1A773M9K64
23	9A07301300	INDICATOR, POWER	KGL2A120
24	9A09297600	KNOB, POWER [E, UK]	KBC1A135M9K64
25	9A07301200	KNOB, POWER	KBT2A387ZK64
26	9A09293300	CHASSIS, BOTTOM	KUA1A200
27	9A06315500	FOOT	KKL1A047ZK63
28	9A06229300	CUSHION, FOOT	KHG1A039Z
29	9A06229100	MOUNT, PCB	KHE1A023
30	9A01375500	PCB HOLDER	KHE170
31	9A09290100	CABINET, TOP	KKC1B122S21
32	9A09290700	BRACKET, HEAT SINK	KMD1A448
33	9A09291200	HEAT SINK (F)	KMY1A181
34	9A09291400	HEAT SINK (R)	KMY1A182
35	9A09290800	SUPPORT, HEAT SINK	KMH1A119
36	9A09290200	PANEL, REAR [J]	KKF1A223WK59
	9A09290210	PANEL, REAR [US, C]	KKF1A223ZK59
	9A09290220	PANEL, REAR [E, UK]	KKF2A223YK59
37	△ 9A06754900	BUSHING, AC CORD	KHR1A028
40	△ 9A08144000	CORD, POWER [J]	BJA2J049Z
	△ 9A08043100	CORD, POWER [US, C]	BJA523FBY
	△ 9A08032300	CORD, POWER [E]	BJA2B044Z
	△ 9A09267600	CORD, POWER [UK]	BJA2E045Z
41	9A09275300	TUNER MODULE [J]	BNVTFCE1J101A
	9A09306200	TUNER MODULE [US, C]	BNVTFCE1U116A
	9A09296900	TUNER MODULE [E, UK]	BNVTFCE1E320A
42	9A09275100	FAN, MOTOR	BDMKD1206PTS3
43	△ 9A09290400	TRANSFORMER, POWER [J]	KLT5V029ZJ
	△ 9A09290410	TRANSFORMER, POWER [US, C]	KLT5V029ZU
	△ 9A09290420	TRANSFORMER, POWER [E, UK]	KLT5V029ZE
F903, F904	△ 9A07044800	FUSE	KBA2C8000TLU
F905	△ 9A08888400	FUSE [J]	KBA2C8000TLJ
F905	△ 9A07044800	FUSE [US, C]	KBA2C8000TLU
F905	△ 9A06784300	FUSE [E, UK]	KBA2C6300TLE

AMP PCB



FRONT PCB



MAIN PCB ASSY

REF. NO.	PARTS NO.	DESCRIPTION
	9A09291800	MAIN PCB ASSY [J]
	9A09291810	MAIN PCB ASSY [US, C]
	9A09291820	MAIN PCB ASSY [E, UK]
	9A09293400	PCB, MAIN
	9A05333600	HEAT SINK
	9A09291600	HEAT SINK, DIODE
C901, C902	△ 9A05922400	C, ELECT 6800UF/63V
C903, C904	△ 9A08034300	C, ELECT 2200UF/35V
C905	△ 9A08034200	C, ELECT 3300UF/16V
C951	△ 9A06015100	C, ELECT 1000UF/16V
C954	△ 9A06694600	C, ELECT 47UF/50V
C969	△ 9A06694600	C, ELECT 47UF/50V
C971	△ 9A08882700	C, CERAMIC (KH TYPE)
C972	△ 9A08032200	C, LINE ACROSS 0.1UF 250V
CN11	9A08036600	WAFER, MOLEX 35336-1010
CN22, CN24	9A07889900	WAFER, MOLEX 35336-0710
CN31	9A09289800	WAFER
CN41	9A08219800	WAFER
CN46	9A07889700	WAFER, MOLEX 35336-0610
CN51, CN52	9A09285100	CONNECTOR (SOCKET)
CN61, CN62	9A09285100	CONNECTOR (SOCKET)
CN71, CN72	9A09285100	CONNECTOR (SOCKET)
CN75	9A09285500	CONNECTOR (SOCKET)
CN76	9A09289600	WAFER
CN82	9A05330400	WAFER, MOLEX 53014-0910
CN86	9A07049600	WAFER
CN91	9A06674400	WAFER
CN92	9A06785000	WAFER, MOLEX 35328-02 [E, UK]
CN93	9A06785000	WAFER, MOLEX 35328-02
CN94	9A05967700	WAFER
CN97	9A06759300	WAFER
CN98	9A07049700	WAFER
CN99	9A06250600	WAFER, 02GA19ZM
D791	9A01390500	DIODE, 1N4148MT
D901	△ 9A09285900	DIODE, BRIDGE
D902-D909	△ 9A05194700	DIODE, 1N4003ST
D910, D911	9A06236200	DIODE, ZENER MTZJ6.2BT
D912	9A05194600	DIODE, 1N4003SRT
D913	9A05194700	DIODE, 1N4003ST [US, C]
D951	△ 9A05194600	DIODE, 1N4003SRT
D952	9A06236200	DIODE, ZENER MTZJ6.2BT
D953	△ 9A05194700	DIODE, 1N4003ST
D954	9A05193800	DIODE, ZENER MTZJ33BT
D956	9A06236200	DIODE, ZENER MTZJ6.2BT
D957	△ 9A05194700	DIODE, 1N4003ST
D958-D960	9A01390500	DIODE, 1N4148MT
D961	9A06765200	DIODE, MTZJ13BT
F902	△ 9A09286400	FUSE
F903-F905	9A05328200	HOLDER, FUSE
IC91	△ 9A09286100	IC, NJM7815FA
IC92	△ 9A09286200	IC, NJM7915FA
IC93	△ 9A09286000	IC, NJM7806FA
JK83	9A07289400	JACK, BOARD
JK84	9A06869800	JACK, IN/OUT (B/B, G)
JK91	9A07308700	BRACKET, PCB [J, US, C]

MAIN PCB ASSY

REF. NO.	PARTS NO.	DESCRIPTION
OL01	△ 9A06224300	OUTLET [J, US, C]
OL01	△ 9A05895700	OUTLET [E, UK]
Q782, Q783	9A08791000	TR, KRA107M
Q784, Q785	9A08791100	TR, KRC107M
Q786	9A08791000	TR, KRA107M
Q791	9A05895900	TR, KTA1266YT
Q793-Q798	9A08744000	TR, KTC2874B
Q799	9A08791000	TR, KRA107M
Q800	9A08791100	TR, KRC107M
Q901	△ 9A05196800	TR, KSC2316-Y-SHTA
Q902	△ 9A05196700	TR, KSA916-Y-SHTA
Q951	△ 9A05196800	TR, KSC2316-Y-SHTA
Q952	△ 9A05895900	TR, KTA1266YT
Q953	9A08791100	TR, KRC107M
Q954	△ 9A05196800	TR, KSC2316-Y-SHTA
R901-R904	△ 9A06760900	R, FUSE 0.47 OHM 1W J
R908, R909	△ 9A08039700	R, 47 OHM 2W J
R912	△ 9A06865900	R, METAL OXIDE FILM
R916, R917	△ 9A06760900	R, FUSE 0.47 OHM 1W J
R919	△ 9A06908200	R, METAL OXIDE FILM
R963	△ 9A06761000	R, CARBON 3.3M K 1/2W [US, C]
RY79	9A04879000	RELAY, OSA-SS-212DM3
RY80	△ 9A09275400	RELAY
RY81	9A09275500	RELAY
S799	9A04882400	SW, TACT
SW19	9A09275600	SW, SLIDE
T902	△ 9A08155100	TRANS, SUB [J]
T902	△ 9A08161600	TRANS, SUB [US, C]
T902	△ 9A07308500	TRANS, SUB [E, UK]

AMP PCB ASSY

REF. NO.	PARTS NO.	DESCRIPTION
	9A09292000	AMP PCB ASSY
	9A09293600	PCB, AMP
	9A09275100	FAN, MOTOR
	9A09290700	BRACKET, HEAT SINK
	9A09290800	SUPPORT, HEAT SINK
	9A09291200	HEAT SINK (F)
	9A09291400	HEAT SINK (R)
BN51, BN52	9A09285200	CONNECTOR (PLUG)
BN61, BN62	9A09285200	CONNECTOR (PLUG)
BN71, BN72	9A09285200	CONNECTOR (PLUG)
BN73	9A07890000	CONNECTOR, MOLEX 35237-0710
BN74	9A08036700	WAFER
CN43	9A07049600	WAFER
CN63	9A05967700	WAFER
CN73	9A07889900	WAFER, MOLEX 35336-0710
CN74	9A08036600	WAFER, MOLEX 35336-1010
CN77	9A06230600	WAFER
D501-D506	9A01390500	DIODE, 1N4148MT
D601-D606	9A01390500	DIODE, 1N4148MT
D701-D703	9A01390500	DIODE, 1N4148MT

AMP PCB ASSY

REF. NO.	PARTS NO.	DESCRIPTION
D751-D755	9A01390500	DIODE, 1N4148MT
D757, D758	9A01390500	DIODE, 1N4148MT
JK51	9A07308700	BRACKET, PCB
Q501-Q506	9A06236600	TR, KTA1268GRT
Q507, Q508	9A06236700	TR, KTC3200GRT
Q509, Q510	9A06236600	TR, KTA1268GRT
Q511, Q512	9A06236700	TR, KTC3200GRT
Q513, Q514	9A09294400	TR, KTC3114A
Q515, C516	9A09294300	TR, KTA1360Y
Q517, C518	9A09294500	TR, KTC3423Y
Q519, Q520	△ 9A08041100	TR, 2SD1763AE
Q521, Q522	△ 9A08040900	TR, 2SB1186AE
Q523, Q524	△ 9A07326800	TR, 2SC4468
Q525, Q526	△ 9A07326600	TR, 2SA1695
Q527, Q528	9A03745000	TR, KSC2785-YTA
Q601-Q606	9A06236600	TR, KTA1268GRT
Q607, Q608	9A06236700	TR, KTC3200GRT
Q609, Q610	9A06236600	TR, KTA1268GRT
Q611, Q612	9A06236700	TR, KTC3200GRT
Q613, Q614	9A09294400	TR, KTC3114A
Q615, Q616	9A09294300	TR, KTA1360Y
Q617, Q618	9A09294500	TR, KTC3423Y
Q619, Q620	△ 9A08041100	TR, 2SD1763AE
Q621, Q622	△ 9A08040900	TR, 2SB1186AE
Q623, Q624	△ 9A07326800	TR, 2SC4468
Q625, Q626	△ 9A07326600	TR, 2SA1695
Q627, Q628	9A03745000	TR, KSC2785-YTA
Q701-Q703	9A06236600	TR, KTA1268GRT
Q704	9A06236700	TR, KTC3200GRT
Q705	9A06236600	TR, KTA1268GRT
Q706	9A06236700	TR, KTC3200GRT
Q707	9A09294400	TR, KTC3114A
Q708	9A09294300	TR, KTA1360Y
Q709	9A09294500	TR, KTC3423Y
Q710	△ 9A08041100	TR, 2SD1763AE
Q711	△ 9A08040900	TR, 2SB1186AE
Q712	△ 9A07326800	TR, 2SC4468
Q713	△ 9A07326600	TR, 2SA1695
Q714	9A03745000	TR, KSC2785-YTA
Q751, Q752	9A05197200	TR, KTA1271YT
Q753-Q756	9A03745000	TR, KSC2785-YTA
Q757	9A05197200	TR, KTA1271YT
Q758	9A08791000	TR, KRA107M
Q759	9A03745000	TR, KSC2785-YTA
R561, R562	△ 9A05896300	R, 0.22 OHM 5W
R571, R572	△ 9A05896300	R, 0.22 OHM 5W
R661, R662	△ 9A05896300	R, 0.22 OHM 5W
R671, R672	△ 9A05896300	R, 0.22 OHM 5W
R731, R736	△ 9A05896300	R, 0.22 OHM 5W
S751	9A06671200	SW, TACT EVQ21505R
TH71	9A09293000	THERMAL SENSOR, POSISTOR

INPUT PCB ASSY

REF. NO.	PARTS NO.	DESCRIPTION
	9A09292100	INPUT PCB ASSY
	9A09293700	PCB, INPUT
	9A09290500	PLATE, SHIELD(1)
BN11	9A08036700	WAFER
BN12	9A08219900	CONNECTOR
BN13	9A09279400	CONNECTOR
BN22, BN24	9A07890000	CONNECTOR, MOLEX 35237-0710
BN75	9A09285600	CONNECTOR (PLUG)
BN76	9A09289700	CONNECTOR
CN13	9A09279300	WAFER
D507, D607	9A01390500	DIODE, 1N4148MT
D759	9A01390500	DIODE, 1N4148MT
IC11	9A07424801	IC, TC9163AF
IC12	9A07343300	IC, NJM2068MD-TE1
IC21-IC23	9A08033300	IC, NJM2296M
JK11	9A09289400	JACK, BOARD
JK12, JK13	9A09289300	JACK, BOARD
JK21	9A09289200	JACK, BOARD
JK22	9A09289500	BOARD, PIN JACK
JK23	9A08035700	JACK, S-VIDEO(2P/H)
JK24	9A08035800	JACK, S-VIDEO(3P/H)
JK51	9A09278700	TERMINAL, SP (RRRR/BBBB)
JK61	9A07426900	TERMINAL, SP (R/B)
L501, L502	9A08037300	COIL, 0.5UH K
L601, L602	9A08037300	COIL, 0.5UH K
L701	9A08037300	COIL, 0.5UH K
Q529, Q629	9A08791100	TR, KRC107M
Q760	9A08791100	TR, KRC107M
R575, R576	△ 9A05338000	R, METAL 10 OHM 1W J
R577, R578	△ 9A07892200	R, METAL 330 OHM 1W J
R675, R676	△ 9A05338000	R, METAL 10 OHM 1W J
R772	△ 9A05338000	R, METAL 10 OHM 1W J
RY51, RY61	9A07326100	RELAY
RY71	9A09275400	RELAY

SURROUND PCB ASSY

REF. NO.	PARTS NO.	DESCRIPTION
	9A09292200	SURROUND PCB ASSY
	9A09293800	PCB, SURROUND
BN31	9A09289900	CONNECTOR
BN41	9A08219900	CONNECTOR
BN42	9A07890400	CONNECTOR, MOLEX 35237-1310
BN46	9A07889800	CONNECTOR, MOLEX 35237-0610
BN47	9A09279400	CONNECTOR
BN48	9A08889400	CONNECTOR, HOUSING
CN47	9A09279300	WAFER
CN48	9A08891200	WAFER, 08GA98ZM
D301	9A06236100	DIODE, ZENER MTZJ4.7BT
IC13-IC15	9A07343300	IC, NJM2068MD-TE1
IC16	9A08033500	IC, TC9482F
IC31	9A07044300	IC, TC74HCU04AFN
IC32	9A08948100	IC, AK4112VF

SURROUND PCB ASSY

REF. NO.	PARTS NO.	DESCRIPTION
IC33	9A08903900	IC, AK4527VQ
IC34	9A08033700	IC, YSS912
IC35	9A08032900	IC, 256K SRAM
IC36	9A09286300	IC, TC9164AF
IC37-IC42	9A07343300	IC, NJM2068MD-TE1
JK31, JK32	9A09275200	MODULE, OPTICAL (RX)
JK33	9A06242200	JACK, BOARD
JK34	9A06239100	MODULE, OPTICAL
JK35	9A09278500	JACK, BOARD
L301-L303	9A08037600	COIL, PEAKING
L304, L305	9A07050600	BEAD, CORE
Q301	9A05196800	TR, KSC2316-Y-SHTA
X301	9A08039000	CRYSTAL

FRONT PCB ASSY

REF. NO.	PARTS NO.	DESCRIPTION
	9A09291900	FRONT PCB ASSY [J]
	9A09291910	FRONT PCB ASSY [US, C]
	9A09291920	FRONT PCB ASSY [E, UK]
	9A09293500	PCB, FRONT
	9A07290000	BRACKET, FLT
	9A09290600	PLATE, SHIELD(3)
BN81	9A09285800	FLEXIBLE CONNECTOR (SOCKET)
BN83	9A09285400	FLEXIBLE CONNECTOR (SOCKET)
CN01	9A09290000	WAFER, CARDCABLE
CN12	9A08219800	WAFER
CN42	9A07890300	WAFER, MOLEX 35336-1310
CN78	9A05329300	WAFER, MOLEX 5267-04A
CN81	9A09285700	FLEXIBLE CONNECTOR (PLUG)
CN83	9A09285300	FLEXIBLE CONNECTOR (PLUG)
CN84	9A08036300	WAFER
CN87	9A06676900	WAFER
CN88	9A07335100	WAFER, MOLEX 53015
D801-D805	9A08131100	LED, YELLOW SLR342YCTB7
D806	9A01390500	DIODE, 1N4148MT [E, UK]
D807	9A01390500	DIODE, 1N4148MT
D808	9A08131100	LED, YELLOW SLR342YCTB7
D809, D810	9A01390500	DIODE, 1N4148MT
D811, D815	9A01390500	DIODE, 1N4148MT [J, US, C]
D812, D813	9A01390500	DIODE, 1N4148MT [US, C]
D813-D815	9A01390500	DIODE, 1N4148MT [E, UK]
D817, D818	9A01390500	DIODE, 1N4148MT
D819	9A08147300	LED, RED SLR342VCTB7
D820	9A01390500	DIODE, 1N4148MT
FIP1	9A08034600	FIP, SVA-10MS11
IC81	9A09276200	IC, TMP87PS71AF
IC82	9A07343300	IC, NJM2068MD-TE1
IC83	9A08033400	IC, SAA6579T/V1 [E, UK]
IC84	9A09276000	IC, HJU3713G
IC85	9A08033200	IC, MC74HC14D [US, C, E, UK]
JK25	9A06758000	JACK, HEAD PHONE

FRONT PCB ASSY

REF. NO.	PARTS NO.	DESCRIPTION
L801	9A05356900	COIL, 10UH K
Q801	9A03747300	TR, KSB811-YTA
Q802	9A08791100	TR, KRC107M
Q803	9A08791000	TR, KRA107M
Q804	9A08791100	TR, KRC107M
Q806, Q809	9A08791000	TR, KRA107M
Q808	9A05892800	TR, KTC3198YT [E, UK]
Q810	9A08791100	TR, KRC107M
RS01	9A08563600	SENSOR, REMOCON
S801-S807	9A04882500	SW, TACT SKHV10910A
S809-S815	9A04882500	SW, TACT SKHV10910A
VR81, VR82	9A09283600	R, VARIABLE
VR83	9A09283500	R, VARIABLE
VR84	9A06224700	VR, ENCODER
VR85	9A08124200	VR, ENCODER
X801	9A05193000	CRYSTAL
X803	9A07501700	CRYSTAL [E, UK]

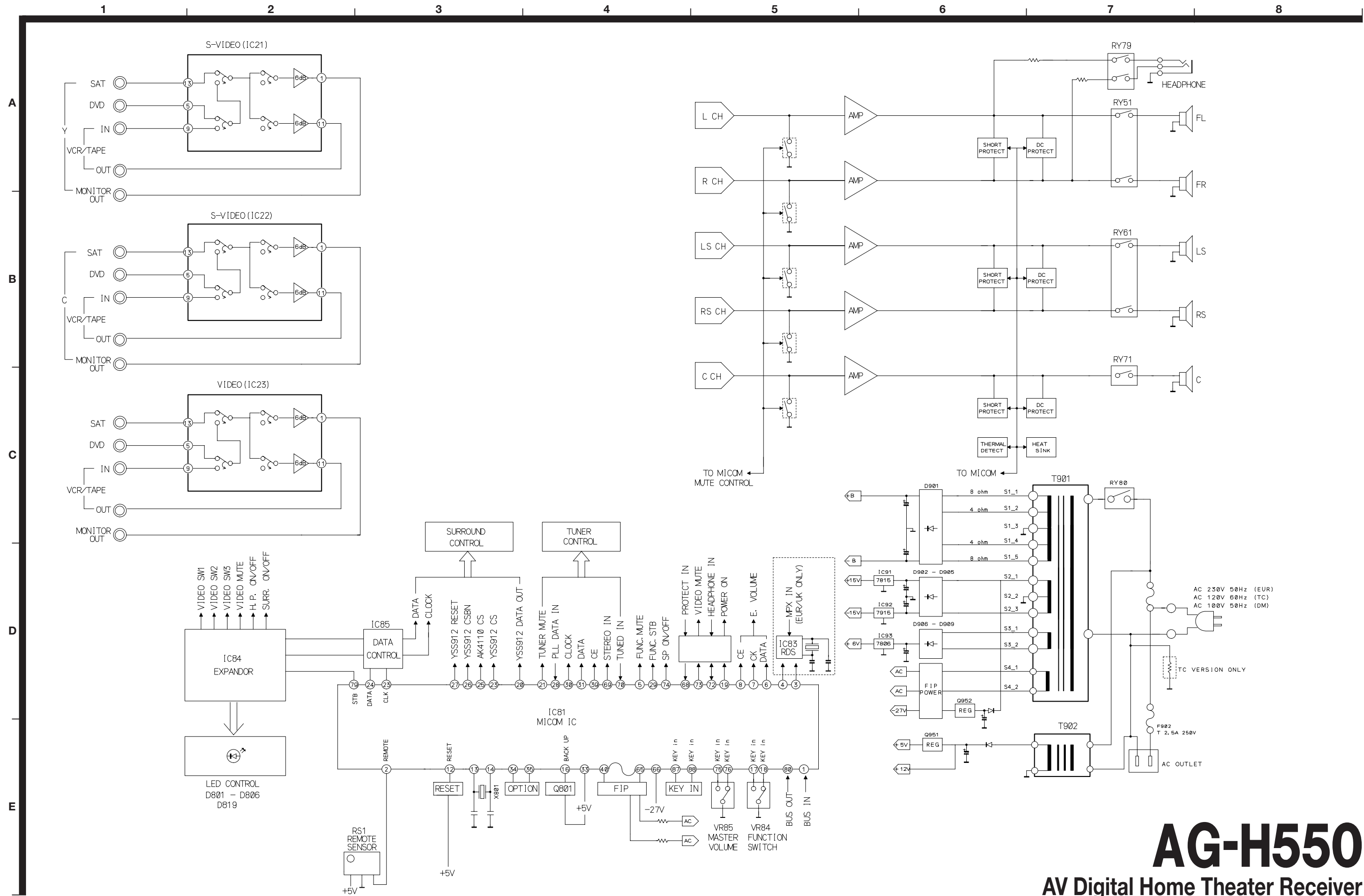
4 INCLUDED ACCESSORIES

付属品

INCLUDED ACCESSORIES

REF. NO.	PARTS NO.	DESCRIPTION	REMARKS
	9A08901700	OWNER'S MNL, J [J]	KQX1A747Z
	9A08901500	OWNER'S MNL, E/F [US, C]	KQX1A705Z
	9A08901600	OWNER'S MNL, E/F/G/I/S [E, UK]	KQX1A706Z
	9A09148000	REMOCON ASSY, RC-821	KARTAGH550
	9A08127600	BATTERY [J]	KABAAAM1.5V
	9A08046100	ADAPTOR, 75-300(NTSC) [J, US, C]	KLR1T201
	9A01397000	ANTENNA TERMINAL [J, US, C]	KSA267
	9A04883100	ANT, FM WIRE [E, UK]	KSA1A007
	9A09282200	ANT, AM LOOP	KSA3A013Z

TEAC BLOCK DIAGRAM AG-H550

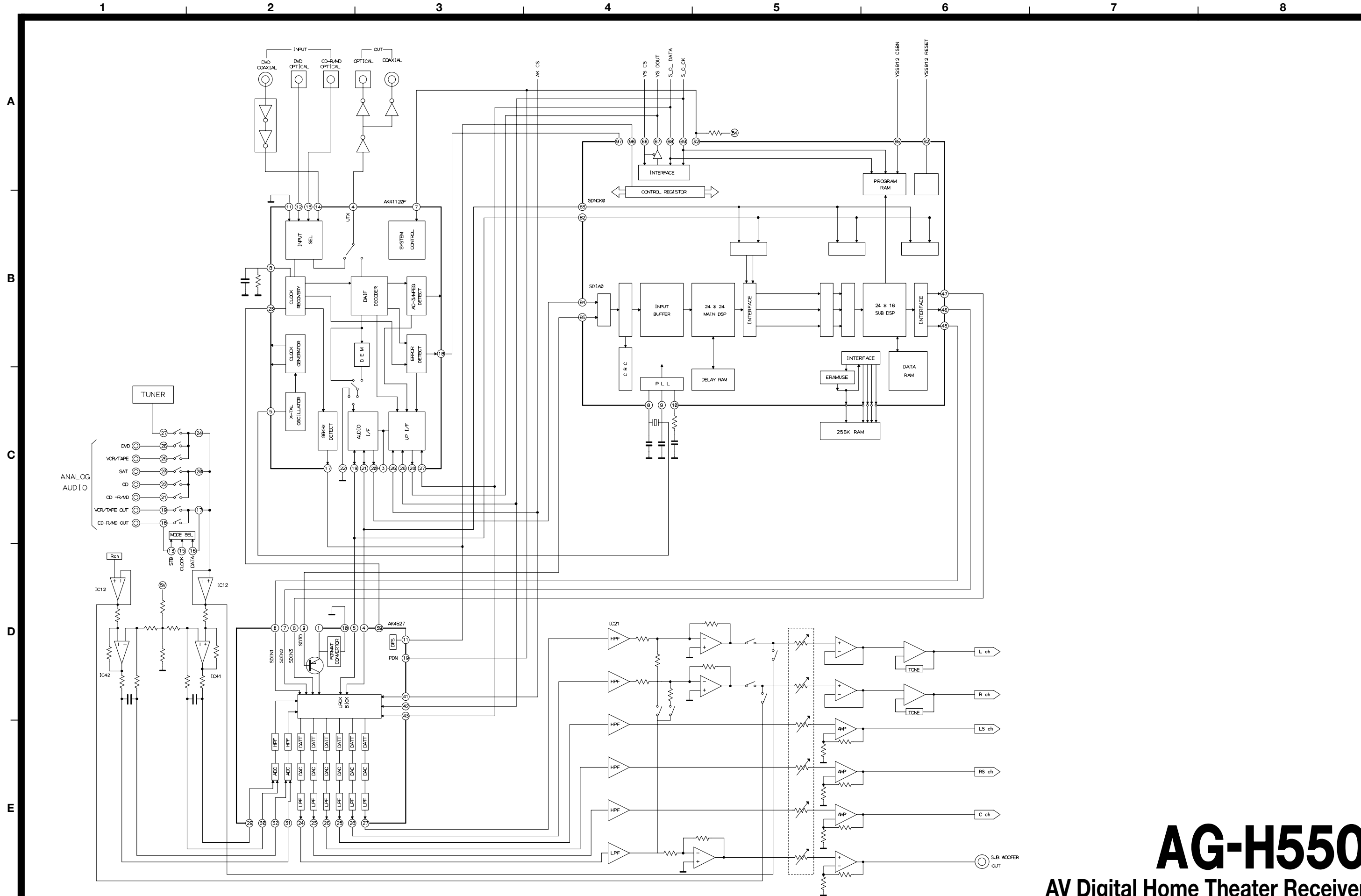


AG-H550

AV Digital Home Theater Receiver

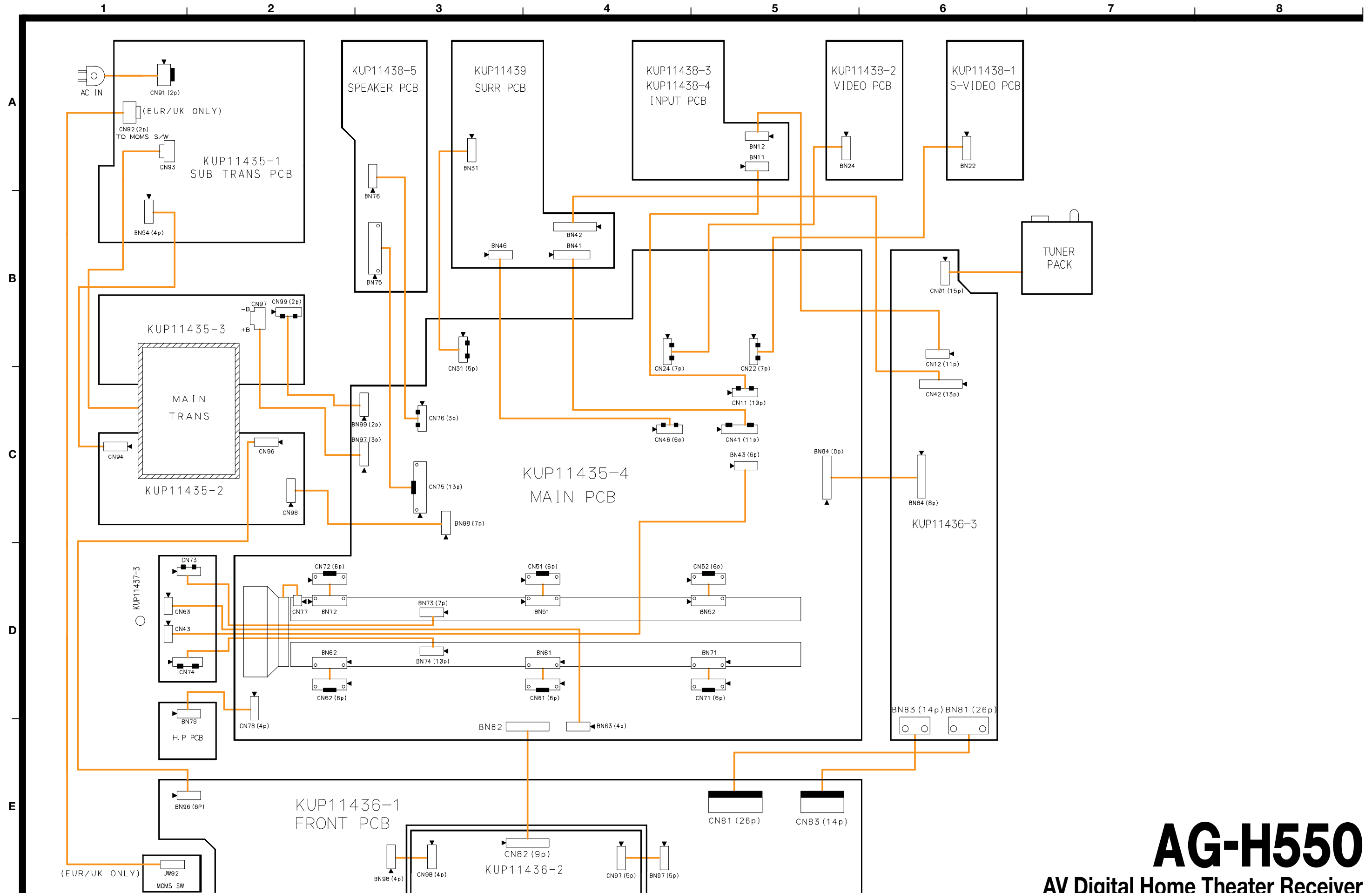
1st Issue; September 2001

TEAC BLOCK DIAGRAM AG-H550

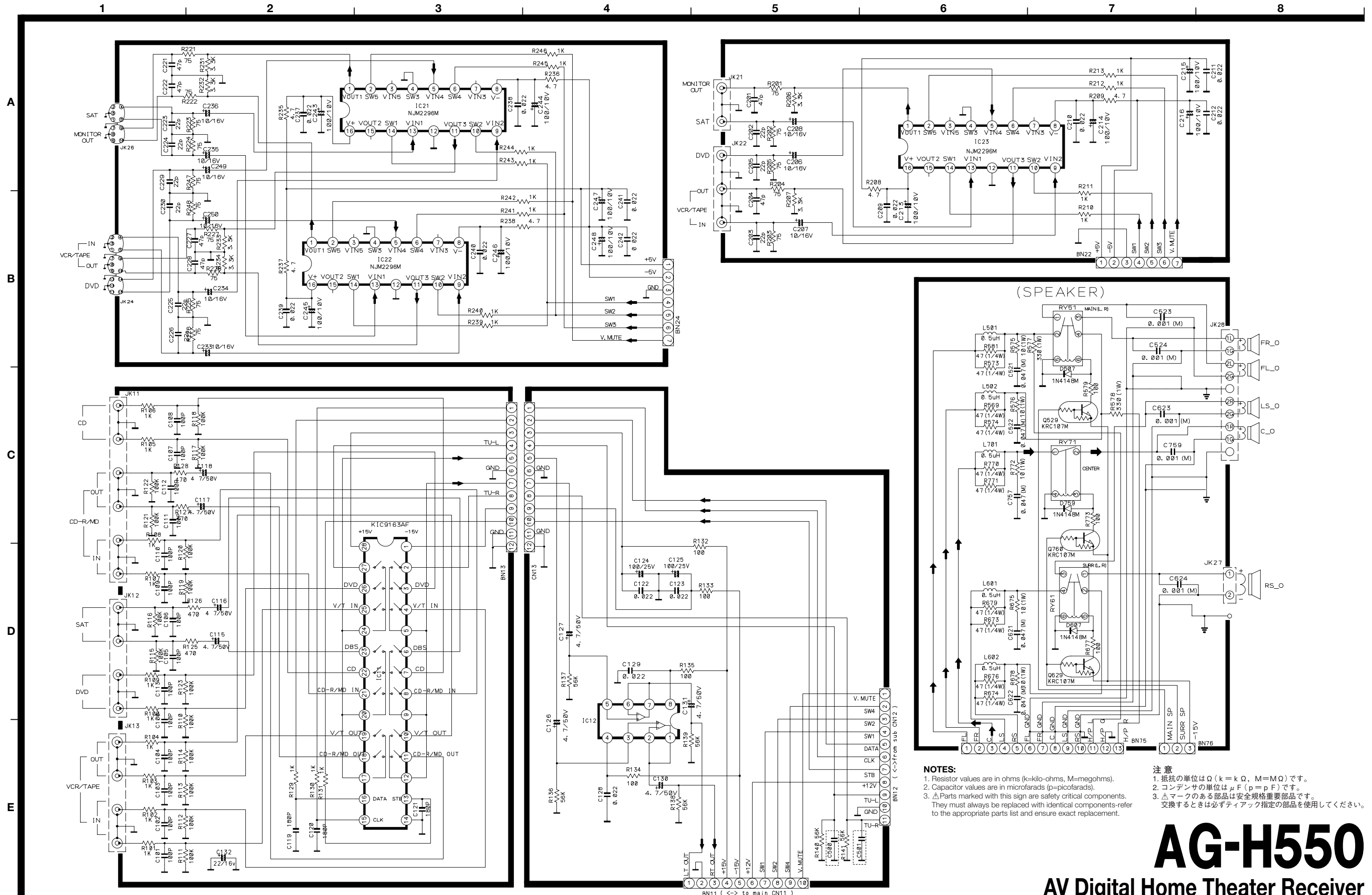


AG-H550
AV Digital Home Theater Receiver
 1st Issue; September 2001

TEAC WIRING DIAGRAM AG-H550



TEAC SCHEMATIC DIAGRAM AG-H550 AUDIO, VIDEO, S-VIDEO & SPEAKER CIRCUIT



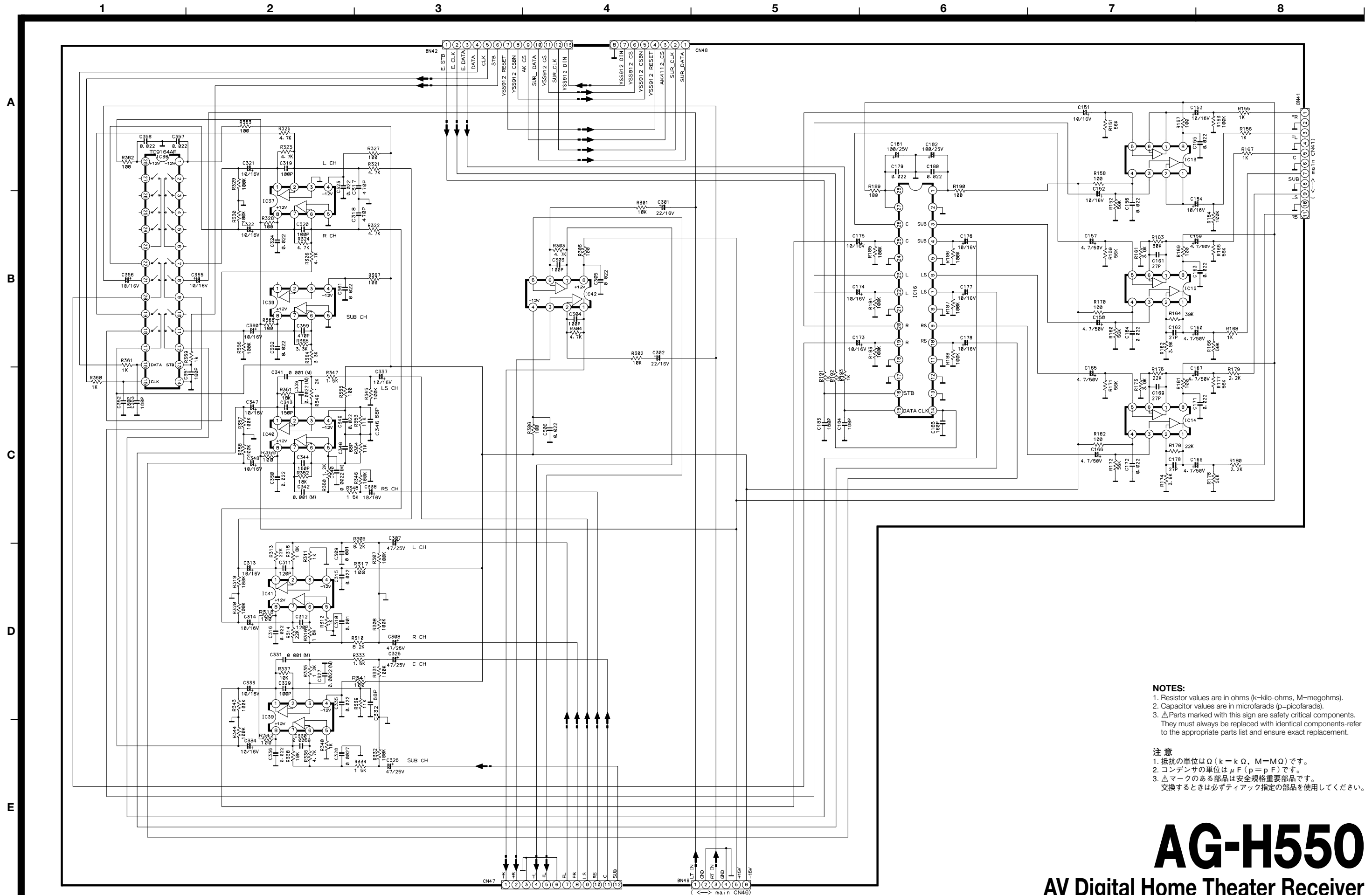
- NOTES:**
1. Resistor values are in ohms (k=kilo-ohms, M=megohms).
 2. Capacitor values are in microfarads (p=picofarads).
 3. Δ Parts marked with this sign are safety critical components. They must always be replaced with identical components—refer to the appropriate parts list and ensure exact replacement.
- 注意**
1. 抵抗の単位は Ω (k = k Ω , M = M Ω) です。
 2. コンデンサの単位は μF (p = pF) です。
 3. Δ マークのある部品は安全規格重要部品です。交換するときは必ずテック指定の部品を使用してください。

AG-H550

AV Digital Home Theater Receiver

1st Issue; September 2001

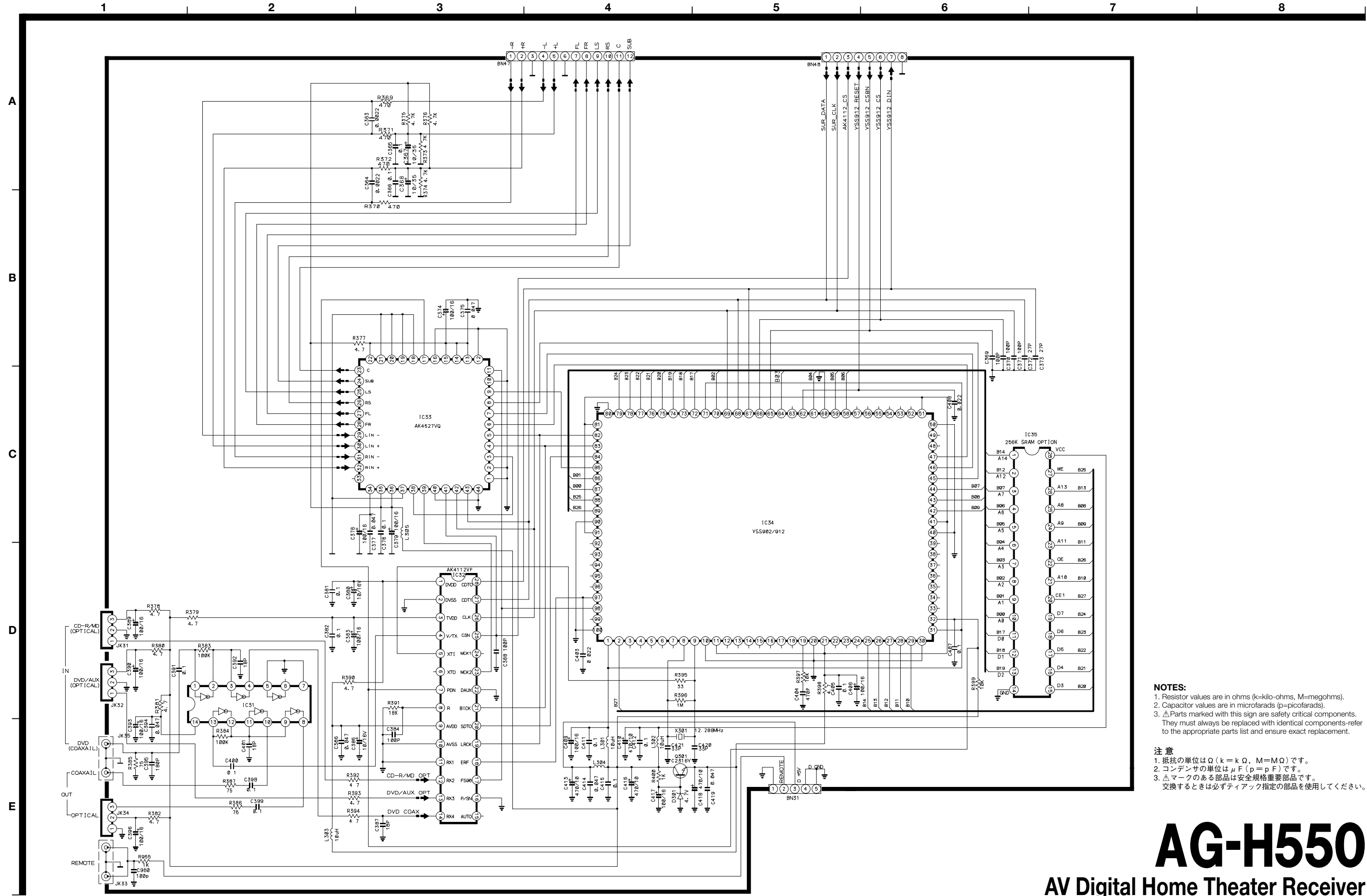
TEAC SCHEMATIC DIAGRAM AG-H550 SURROUND CIRCUIT



NOTES:
 1. Resistor values are in ohms (k=kilo-ohms, M=megohms).
 2. Capacitor values are in microfarads (μ=picofarads).
 3. △Parts marked with this sign are safety critical components. They must always be replaced with identical components—refer to the appropriate parts list and ensure exact replacement.

注意
 1. 抵抗の単位はΩ (k = kΩ, M = MΩ) です。
 2. コンデンサの単位はμF (p = pF) です。
 3. △マークのある部品は安全規格重要部品です。交換するときは必ずティアック指定の部品を使用してください。

TEAC SCHEMATIC DIAGRAM AG-H550 SURROUND CIRCUIT



- NOTES:**
1. Resistor values are in ohms (k=kilo-ohms, M=megohms).
 2. Capacitor values are in microfarads (μ=picofarads).
 3. Δ Parts marked with this sign are safety critical components. They must always be replaced with identical components—refer to the appropriate parts list and ensure exact replacement.

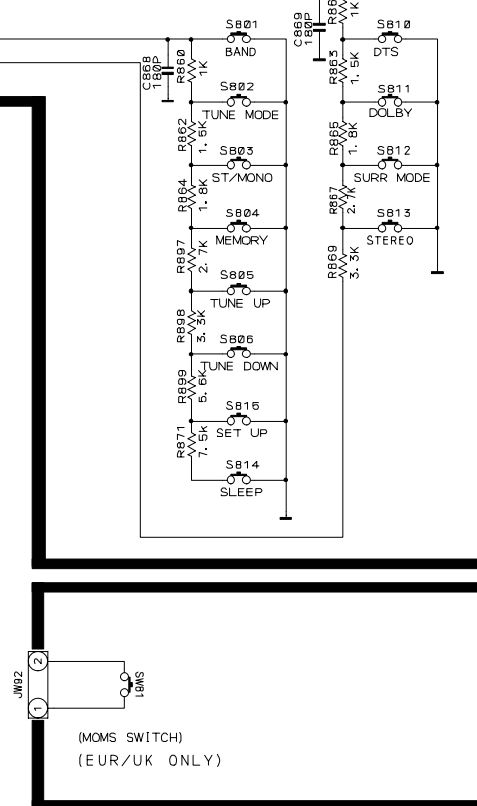
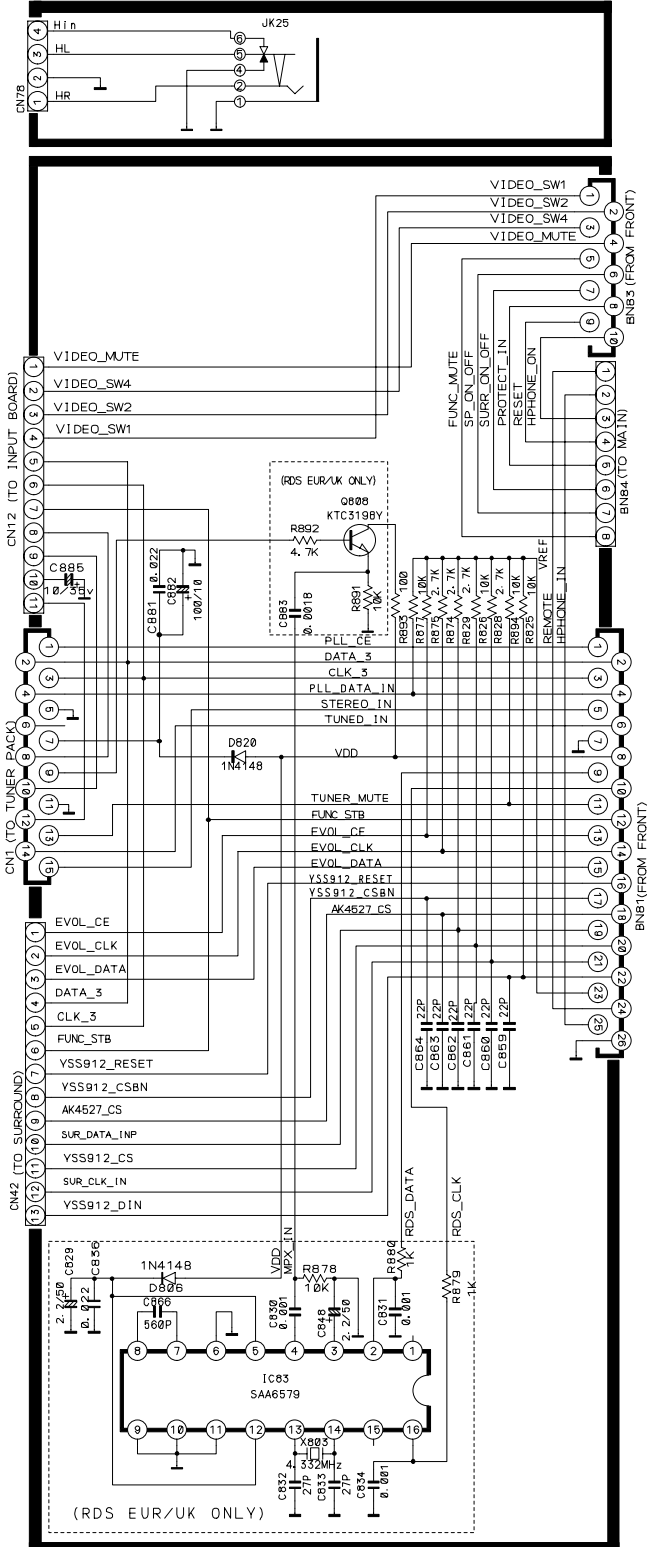
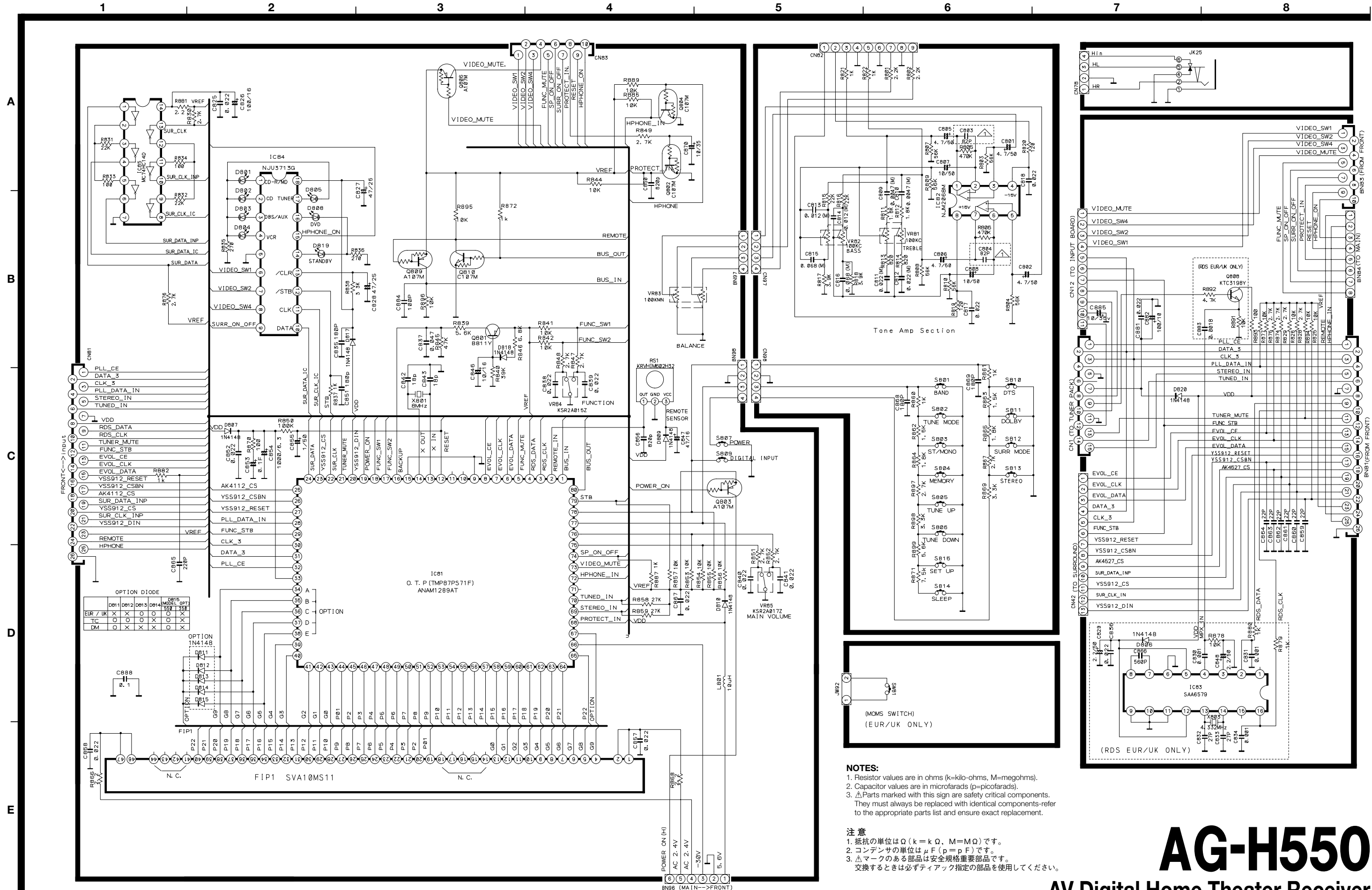
- 注意**
1. 抵抗の単位はΩ (k=kΩ, M=MΩ) です。
 2. コンデンサの単位はμF (p=pF) です。
 3. Δ マークのある部品は安全規格重要部品です。交換するときは必ずテック指定の部品を使用してください。

AG-H550

AV Digital Home Theater Receiver

1st Issue; September 2001

TEAC SCHEMATIC DIAGRAM AG-H550 μ -COM, TONE & GUIDE CIRCUIT



NOTES:

1. Resistor values are in ohms (k=kilo-ohms, M=megohms).
2. Capacitor values are in microfarads (μ =microfarads).
3. Δ Parts marked with this sign are safety critical components. They must always be replaced with identical components-refer to the appropriate parts list and ensure exact replacement.

注意

1. 抵抗の単位は Ω (k=k Ω , M=M Ω)です。
2. コンデンサの単位は μ F (μ = μ F)です。
3. Δ マークのある部品は安全規格重要部品です。交換するときは必ずテック指定の部品を使用してください。

AG-H550

AV Digital Home Theater Receiver

1st Issue; September 2001

TEAC SCHEMATIC DIAGRAM AG-H550 AMP CIRCUIT

1 2 3 4 5 6 7 8

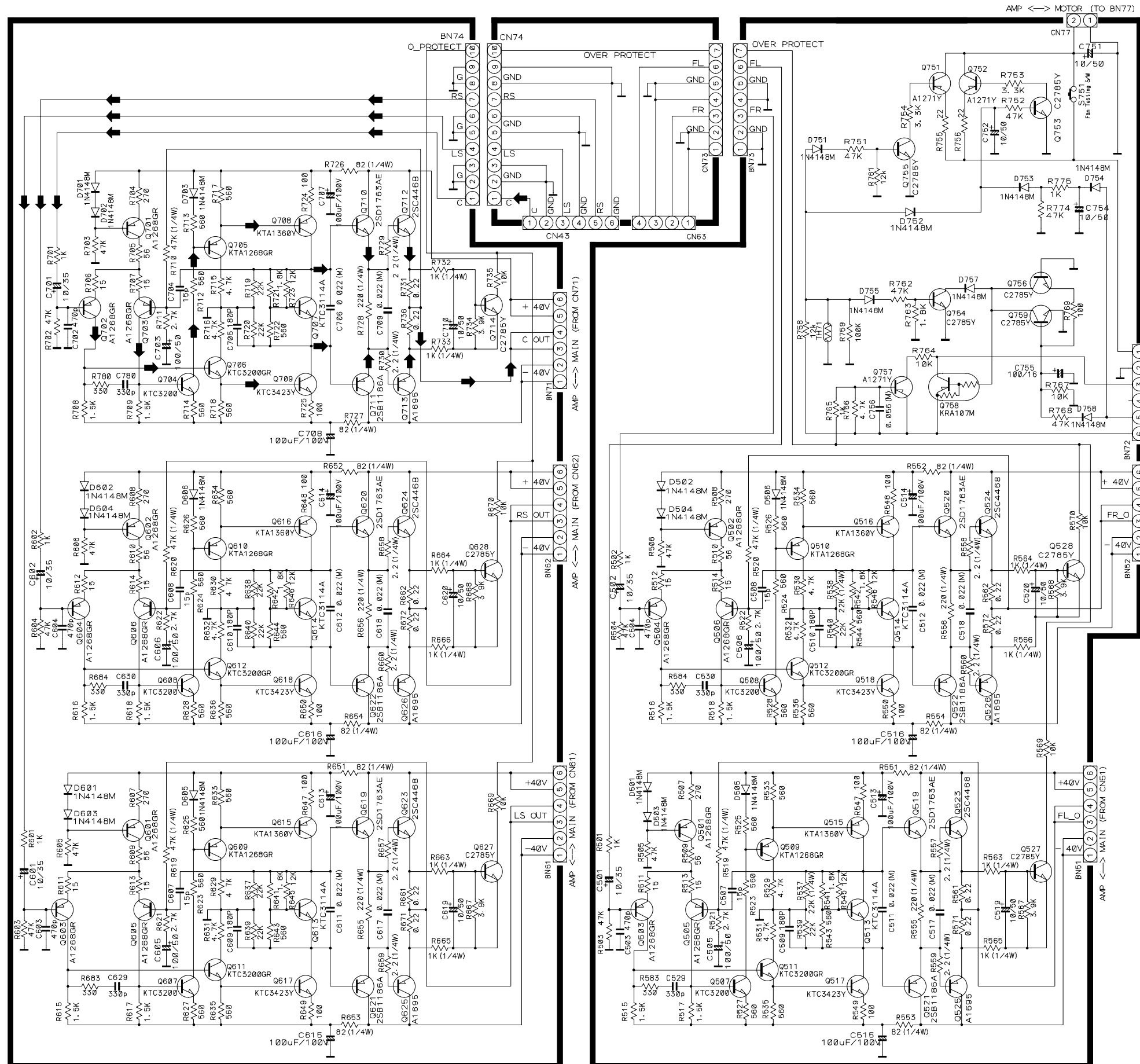
A

B

C

D

E



- NOTES:**
1. Resistor values are in ohms (k=kilo-ohms, M=megohms).
 2. Capacitor values are in microfarads (μ=pico-farads).
 3. △Parts marked with this sign are safety critical components. They must always be replaced with identical components—refer to the appropriate parts list and ensure exact replacement.

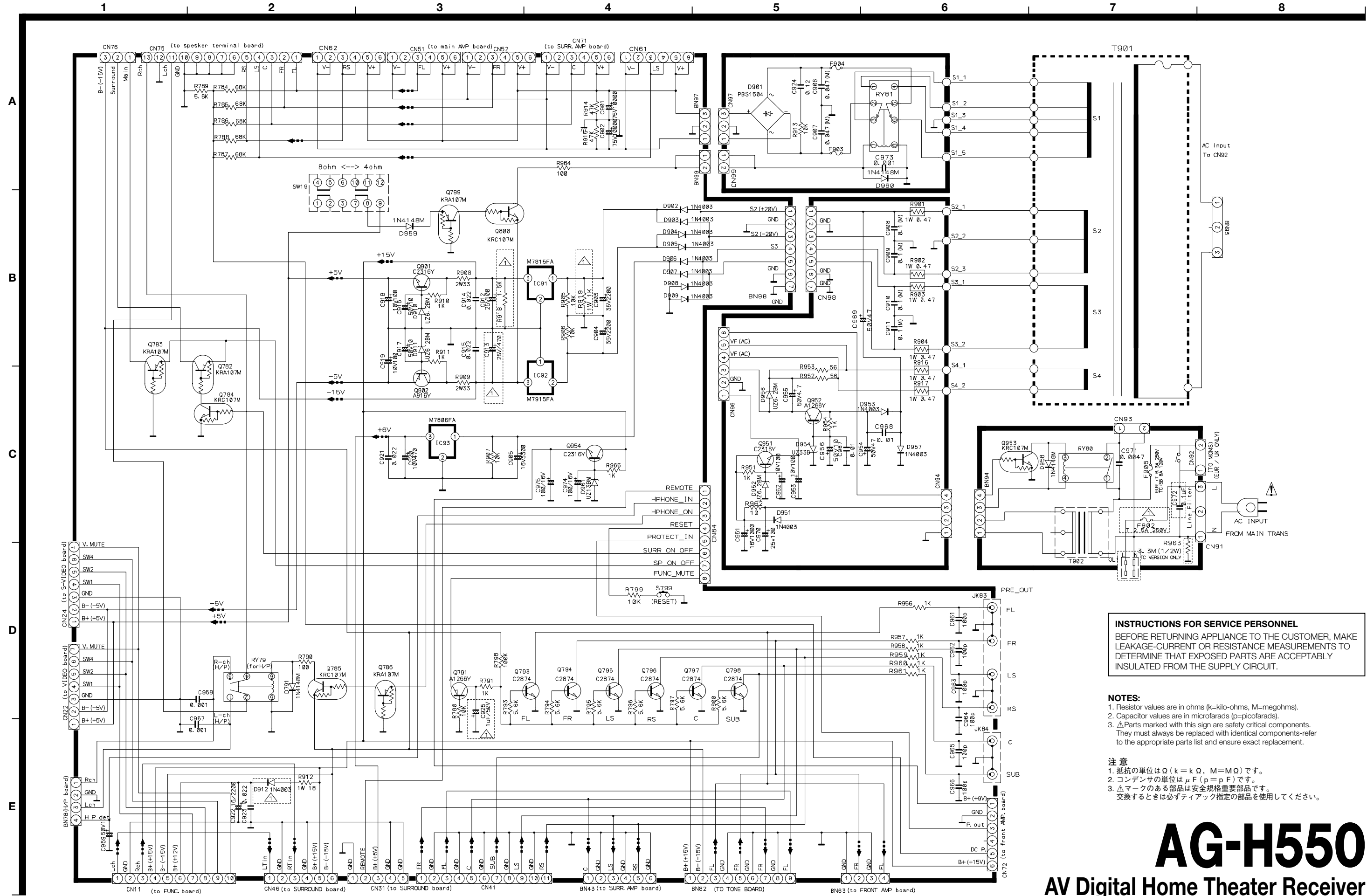
- 注意**
1. 抵抗の単位はΩ (k = kΩ, M = MΩ) です。
 2. コンデンサの単位はμF (p = pF) です。
 3. △マークのある部品は安全規格重要部品です。交換するときは必ずテック指定の部品を使用してください。

AG-H550

AV Digital Home Theater Receiver

1st Issue; September 2001

TEAC SCHEMATIC DIAGRAM AG-H550 MAIN CIRCUIT



INSTRUCTIONS FOR SERVICE PERSONNEL
 BEFORE RETURNING APPLIANCE TO THE CUSTOMER, MAKE LEAKAGE-CURRENT OR RESISTANCE MEASUREMENTS TO DETERMINE THAT EXPOSED PARTS ARE ACCEPTABLY INSULATED FROM THE SUPPLY CIRCUIT.

- NOTES:**
1. Resistor values are in ohms (k=kilo-ohms, M=megohms).
 2. Capacitor values are in microfarads (p=picofarads).
 3. Δ Parts marked with this sign are safety critical components. They must always be replaced with identical components-refer to the appropriate parts list and ensure exact replacement.

注意
 1. 抵抗の単位は Ω (k = k Ω , M = M Ω) です。
 2. コンデンサの単位は μF (p = p F) です。
 3. Δ マークのある部品は安全規格重要部品です。交換するときは必ずディック指定の部品を使用してください。

AG-H550

AV Digital Home Theater Receiver

1st Issue; September 2001